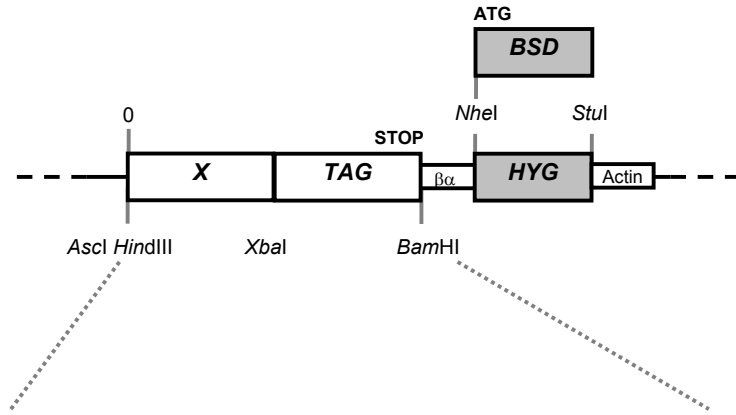


## Native C-Terminal Tagging Plasmid: pNAT X-tag



### Expression cassettes

**X**<sup>GFP</sup>

GGCGCGCCAAGCTT **insert** TCTAGA **eGFP STOP** GGATCC  
Ascl HindIII XbaI BamHI

**X**<sup>12Myc</sup>

GGCGCGCCAAGCTT **insert** TCTAGA **12Myc STOP** GATCC  
Ascl HindIII XbaI BamHI