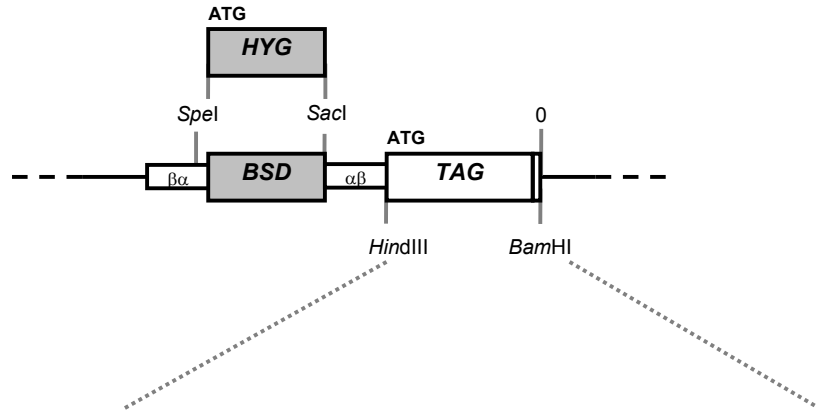


Native N-Terminal Tagging Plasmid: pNAT tag-X



Expression cassettes

GFP_X

AAGCTT **ATG-GFP** TCTAGA **insert** GGATCC
HindIII *XbaI* *BamHI*

6Myc_X

AAGCTTAATTA **ATG** TCTAGA **6Myc** CCTAGG **insert** GGATCC
HindIII *PacI* *XbaI* *AvrII* *BamHI*